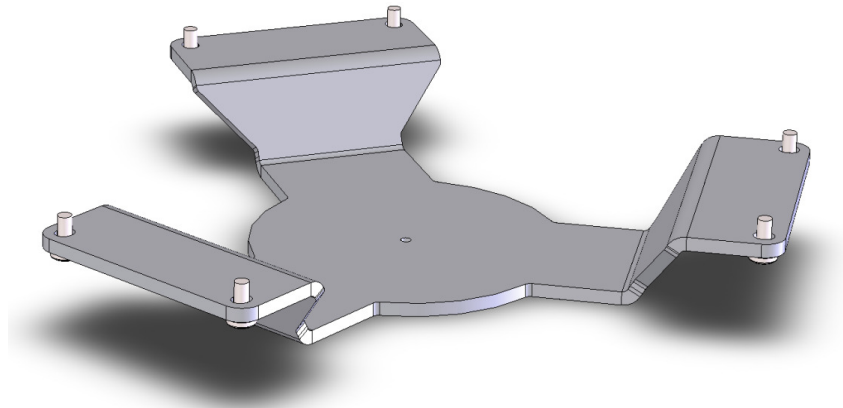


# Antenna Adaptor Bracket Installation Guide



Version 1.2  
English

- when it has to be **right**

**Leica**  
Geosystems

---

**Table of contents**

---

1. Introduction .....3

2. Leica Antenna Adaptor Installation .....4

# 1.

## Introduction

---

### General information

This document describes how to install the Leica antenna adaptor plate (Art. No. 783836) in association with Leica ANT200 LG and/or Leica ANT200 LLGG antenna/s (Art. No. 675522 & 675672).

---

### Required items

- Leica L1/L2 Red antenna and/or Leica L1 Black antenna/s (Art. No. 675522 & 675672).
  - Leica antenna adaptor bracket kit (Art. No. 783836).
- 

### Further Information

The following instructions are to be used as a general guide during the installation. For more specific instructions, please visit [www.agguidance.com](http://www.agguidance.com) to view additional platform information and recommended vehicle settings.

---

### Kit contains

- Antenna Adaptor Bracket – installation Guide.
  - Antenna Adaptor Bracket.
  - 6 - M4 10mm stainless steel screws.
  - 6 - M4 stainless steel spring washers.
  - 6 - M4 stainless steel flat washers.
-

## 2. Leica Antenna Adaptor Installation

---

### General information

Installation does not require specialist knowledge. The installer must read and study the included installation guide. However Leica Geosystems recommends that installation of the equipment be performed by a qualified technician. You should also refer to the installation hints specific to your tractor type and/or steer kit if applicable. These may be obtained at [www.agguidance.com](http://www.agguidance.com) or may have been supplied with your system, depending on how you purchased your system.

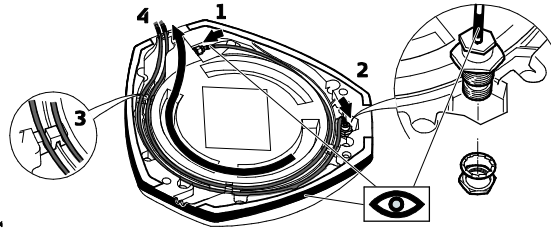
---

### Further Information

- Route the cables through existing grommets if possible, to ensure that they do not interfere, chafe or rub, causing premature failure; if not, modification may be required to route the cables to the desired location. If creating a new entry point, make sure to use a grommet to protect the cables.
  - The cables must not be cut, kinked, or bent tightly or their performance will be degraded and may even result in system failure.
-

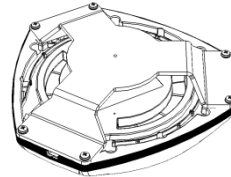
## Preparing GPS antenna/s

1. Start all antenna cable connections by hand before using the supplied wrench to tighten. Do not over tighten the cable connections. Run the threads to the end and tighten only 1/8 turn more.

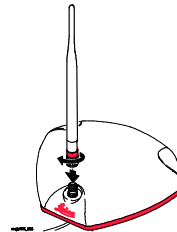


2. Connect the colour coded cables to the black and red antenna – black coded to the black antenna and red coded to the red antenna.
3. Insert the thread of the whip antenna base as shown, place the washer and fix with the nut. The whip antenna cables are also colour coded.
4. Route the cables through the circular slot provided on the bottom side of the antenna as shown. Align each cable with the slot and push it into the slot using the antenna cable grommets and antenna cable supports provided.
5. You have several options for how you want the cables to exit the antenna base; choose the best to suit your application.

6. Identify the mounting position of the antennas, as described in the following section. Drill out the centre pilot hole to suit your mounting application, it is recommended to mount using existing cab bolts if possible.
7. Align the adaptor bracket with the threaded inserts on the antenna base, screw in the six M4 screws, include the spring washers, then the flat washers.



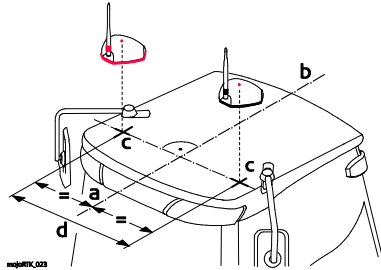
8. Install a whip antenna on each of the two GPS antennas.



- The whip antennas are colour coded to the GPS antennas; black to black and red to red.
-

## Position of the antenna/s

1. First find the locations that allow the antennas to have large separation and be as close to the front of the tractor as possible, it is recommended to mount using existing cab bolts if possible.



- a) Red/Black antenna offset
- b) Centre line
- c) Measurement dots
- d) Antenna separation, minimum distance 80cm/32"

- The centre dimple on the antenna is where measurements need to be taken from.
  - The antennas must be square with one another, meaning that one antenna should not be closer to the back of the vehicle than the other.
2. Mount the **red antenna** in the identified position, ensuring that it is on the **right-hand side** of the vehicle forward from the operator's seat.
  3. Mount the **black antenna** in the identified position, **left-hand side** of the vehicle forward from the operator's seat.

- It is advisable the whip antennas be mounted on the GPS antennas to fold backwards if needed.
- It is advisable to use a spring or star washer on the mounting bolts, between the cab and the mounting bracket.

**Leica Geosystems AG**  
Heinrich-Wild-Strasse  
CH-9435 Heerbrugg  
Switzerland  
Phone: +41 71 727 31 31  
[www.leica-geosystems.com](http://www.leica-geosystems.com)

- when it has to be **right**

**Leica**  
**Geosystems**

**783836 - 1.2 en**

Original text  
© 2010 Leica Geosystems AG, Heerbrugg, Switzerland