

---

# AgChem SP

## AutoSPRAY cable B

(Part No. 1-2817)

# Installation Manual

Part Number: 1-1267

Revision: A

Issue Date: October 2008



- when it has to be **right**



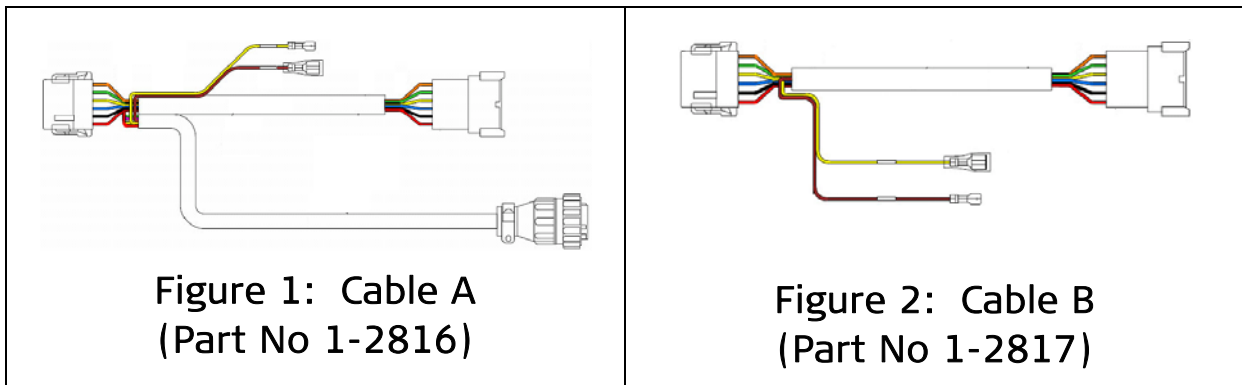
## INTRODUCTION

The AgChem Self Propelled AutoSPRAY Cable B, optional cable, (Part No: 1-2817) is designed to suit the following installations:

Compatible Vehicles		
Rogator 1254	Rogator 1264	Rogator 1274

The cable will detect the status of the Master Switch and control the seventh section of the boom if installed, **but only if Cable A (Part No 1-2816) is already installed.**

The AgChem SP AutoSPRAY Cable A (Part No 1-2816) will control up to six individual boom sections; it does not detect the status of the Master Switch in the installation.



## INSTALLATION

A schematic of the cable and its relevant cabling to the installation is shown in Figure 3.

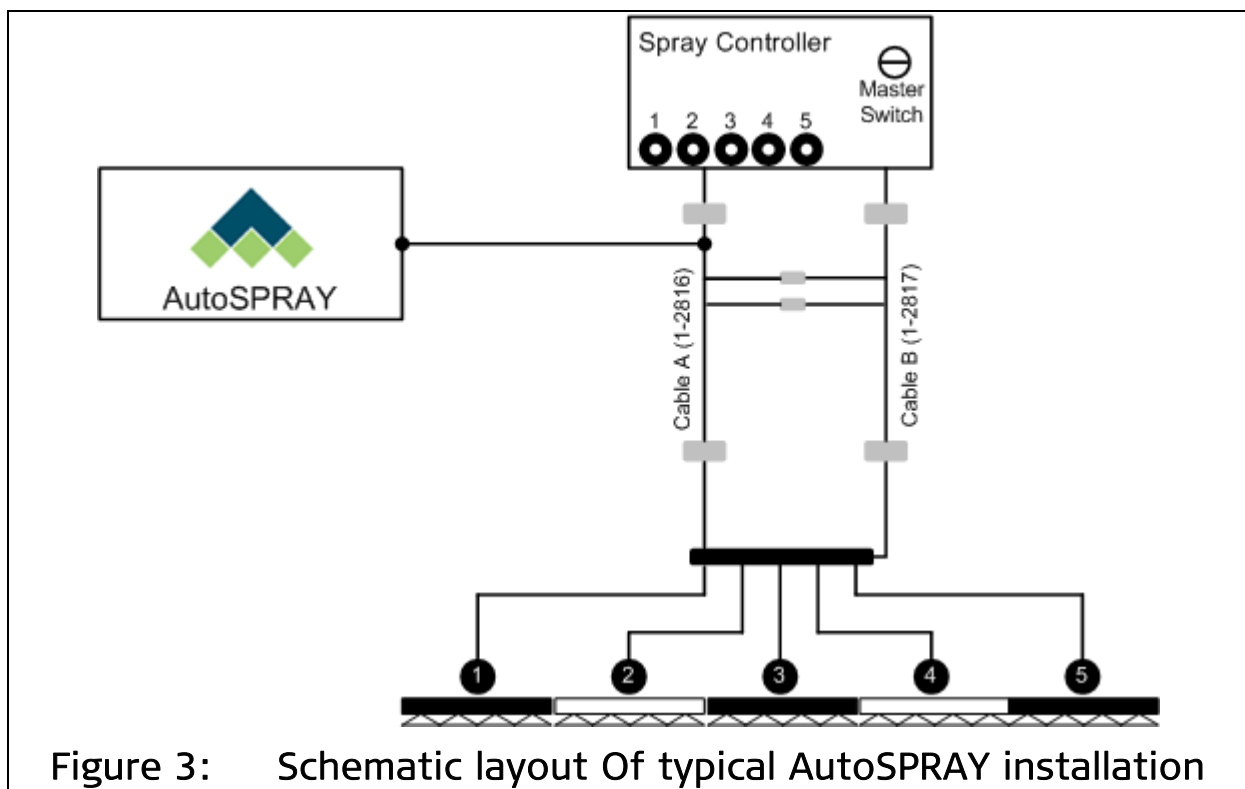


Figure 3: Schematic layout Of typical AutoSPRAY installation



It is recommended that all electrical wiring should be installed by a qualified auto-electrician. Incorrect wiring may damage the AutoSPRAY controller and/ or the spray rate controller.

The installation and configuration of the RINEX AutoSPRAY controller is detailed in the appropriate User Manual.

Step	Instruction
1.	Locate the wiring panel inside the cabin with the multi-coloured wiring harness (Connectors-B) as shown in Figure 5.
2.	Disconnect the mating connectors (B) as shown in Figure 5.
3.	Plug the supplied optional cable in-line between the two mating connectors from Step 2.
4.	Connect the wires labeled "MASTER" and "SECTION 7" to the supplied cable.
5.	Confirm that the spray controller and boom section switches function correctly.
Consult the AutoSPRAY controller installation manual to setup and calibrate the AutoSPRAY system.	



Figure 4

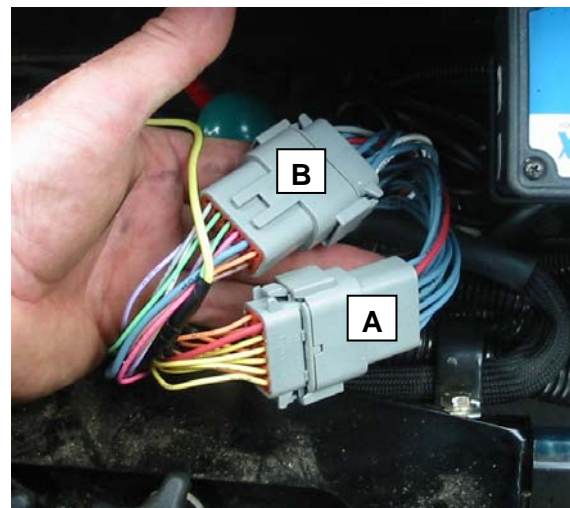


Figure 5