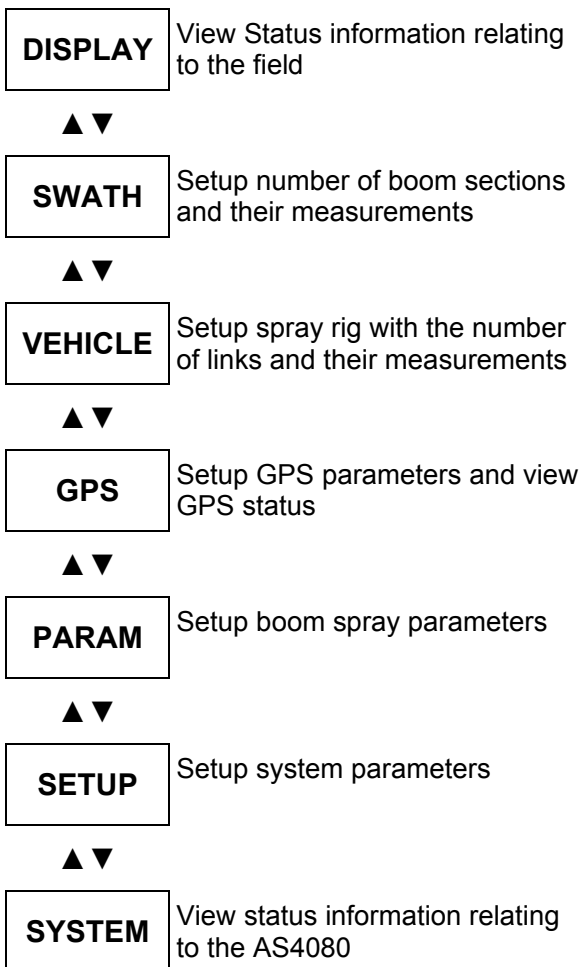


Menu Structure

AS4080 main menu

The AS4080 main menu is accessed via the UP & DOWN buttons. The sub-menus are accessed from the main menu heading using the LEFT & RIGHT buttons. The main menu headings are shown below.



Pause & Resume a Field

The AS4080 may be paused whilst working a field by one of the following methods. The AS4080 LCD display will show **STANDBY MODE**.

- **Push the STANDBY button**

Pushing the STANDBY button on the AS4080 front panel will place the AS4080 in STANDBY mode.

The field may be resumed with the AS4080 by reversing the above actions. The AS4080 LCD will show **DISPLAY**.

Start a New Field

The AS4080 is designed to spray only one field at a time. In order to start a new field, turn the Master switch OFF.

- **Clearing the Field**

Push and hold the STANDBY button for a few seconds until the AS4080 LCD displays **CLEARING...**

Then it will display **Treatment Clear** and a new field can be started.

- **Start a New Field**

Follow the steps for Spraying a Field in this guide.

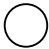


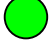
Override the AS4080

When in **STANDBY** mode the spray rate controller can be used in a conventional manner. NOTE: any portion of the field sprayed in **STANDBY** mode is not recorded.

Status Indicators


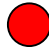


Power Status

The status of the AS4080 is identified by the colour of the power LED. The AS4080 will only function in OPERATIONAL mode.

LED	MODE
	There is no power connected to the AS4080, or the IPS switch is OFF
	OFF mode - power is connected to the AS4080
	STANDBY MODE – the AS4080 is ready to go to operational mode
	OPERATIONAL MODE - the AS4080 is operational & working

GPS Status

The status of the GPS connected to the AS4080 is identified by the colour of the GPS LED. The AS4080 will function with either GPS (non-differentially corrected) or DGPS. See the note in the user manual on GPS accuracy.

LED	MODE
	No valid GPS data or the AS4080 is not powered (see above)
	Non- diff corrected GPS data, AS4080 operational in non-diff mode
	Poor DGPS data is being received, AS4080 non-operational
	Differential corrected GPS data is being received by the AS4080

Spraying a Field

- **Start the AS4080**

Start the tractor, the AS4080 will start about one minute after the tractor has started.

- **Start the spray rate controller**

Turn the spray rate controller ON, the Master Switch and all Sections Switches are in the OFF position.

- **Check the Status LEDs**

Check both the GPS and Power LEDs to ensure that Valid GPS information is being received and that the AS4080 is in OPERATIONAL mode.

- **Turn Master Switch ON**

Toggle the Master Switch to the ON position, confirm that the Power LED is Green and the LCD display shows **DISPLAY**.

- **Start spraying**

Start driving in the field, as the vehicle moves forward, the spray nozzles will start to activate. The AS4080 is operational and will automatically switch boom sections ON & OFF as necessary.

- **Finish spraying**

Once the field has been completely sprayed the Master Switch can be toggled to the OFF position.

- **Start a new field**

Push & hold the STANDBY button to clear finished field & start new field.



smart spraying ...
... made simple



AutoSPRAY

**Customer Support Centre
Australia**

Internet :<http://www.rinextech.com>



Quick Reference Guide

AutoSPRAY 4080 (v1.1)

The AutoSPRAY 4080 controller (AS4080) front (face) panel contains all buttons and screen referred to in this guide. The panel and buttons referred to are shown below for clarity.

Each button is a soft key membrane switch which requires a firm push until a positive click is felt and the LCD screen changes display.

The LCD screen is backlit for night time operations and can be dimmed as detailed inside the user manual.

